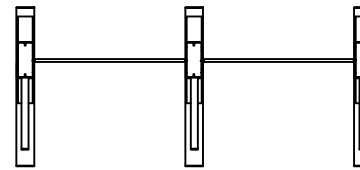
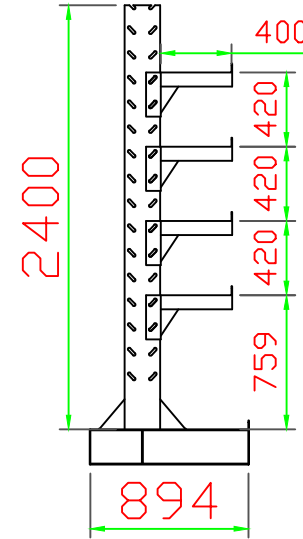
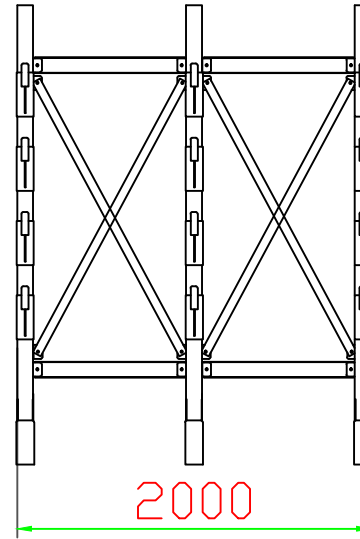
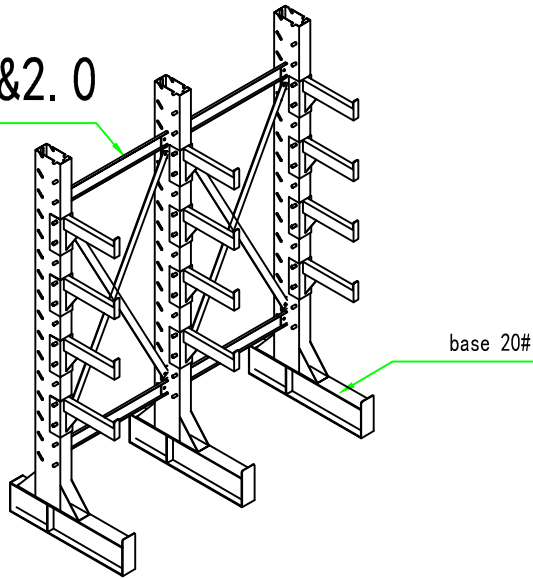


# Cantilever Rack

rod &2.0



## Material Details

upright section	base section	arm section

## Description:

- 1.Rack size: L2000\*D894\*H2400mm
- 2.Levels: 5levels
- 3.Loading capacity: 500kg/arm, 1500kg/level



东莞市至佳仓储设备有限公司  
ZHIJIA STORAGE EQUIPMENT CO.,LTD
